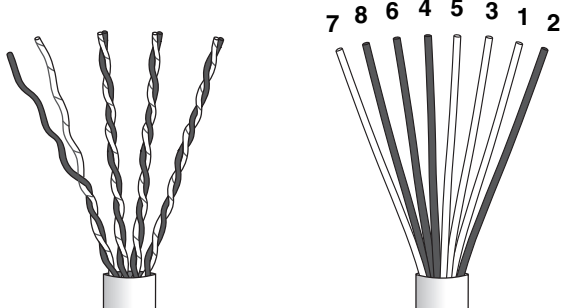




### TERMINATION

- 1** Remove all but one twist per pair, smooth conductors and arrange in proper color sequence.

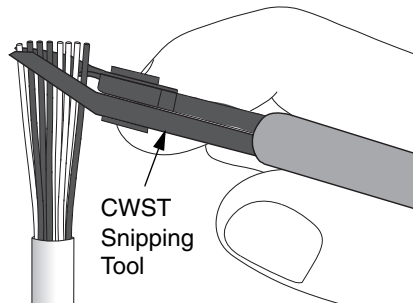


#### Mini-Com Mini-Jack Color-Coded Wire Positions

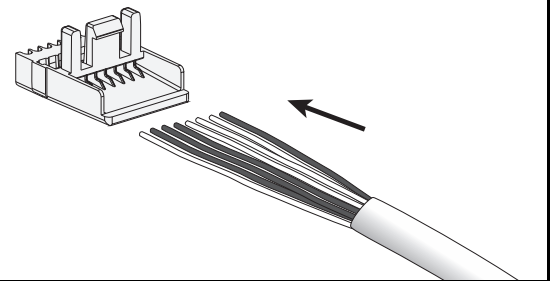
Part Numbers - CJ588**Y, CJ5E88**Y, CJD588**Y					
T568A			T568B		
2	GREEN	R3	2	ORANGE	R2
1	WHITE/GREEN	T3	1	WHITE/ORANGE	T2
3	WHITE/ORANGE	T2	3	WHITE/GREEN	T3
5	WHITE/BLUE	T1	5	WHITE/BLUE	T1
4	BLUE	R1	4	BLUE	R1
6	ORANGE	R2	6	GREEN	R3
8	BROWN	R4	8	BROWN	R4
7	WHITE/BROWN	T4	7	WHITE/BROWN	T4

See Page 2 for CJ64/66/88 Series Wiring Sequences

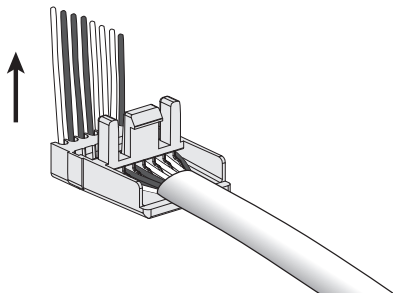
**2**



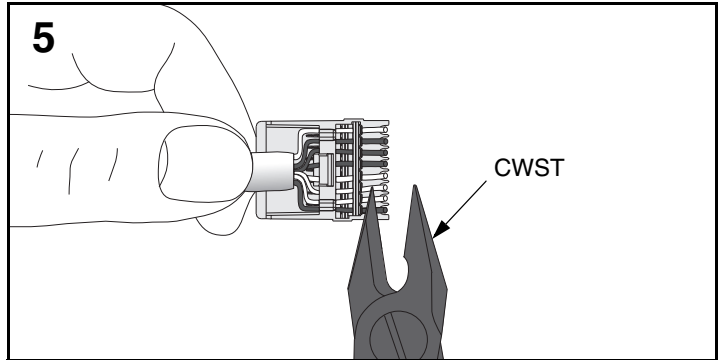
**3**



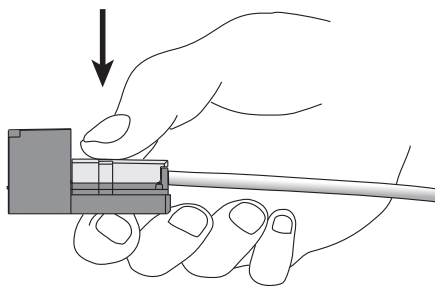
**4**



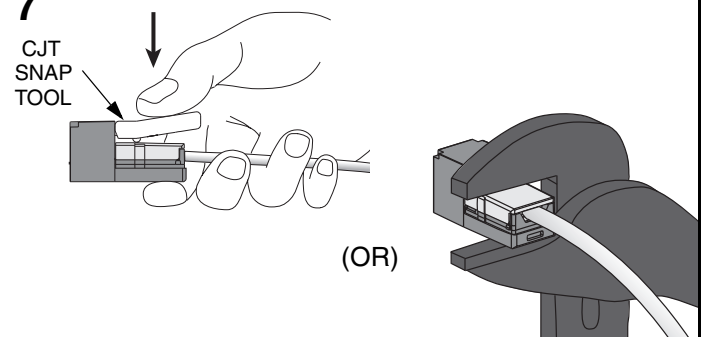
**5**



**6**

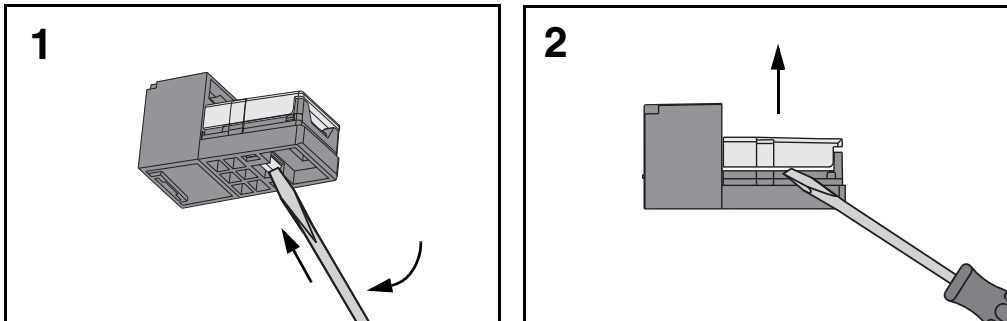


**7**



\*\* Denotes color.

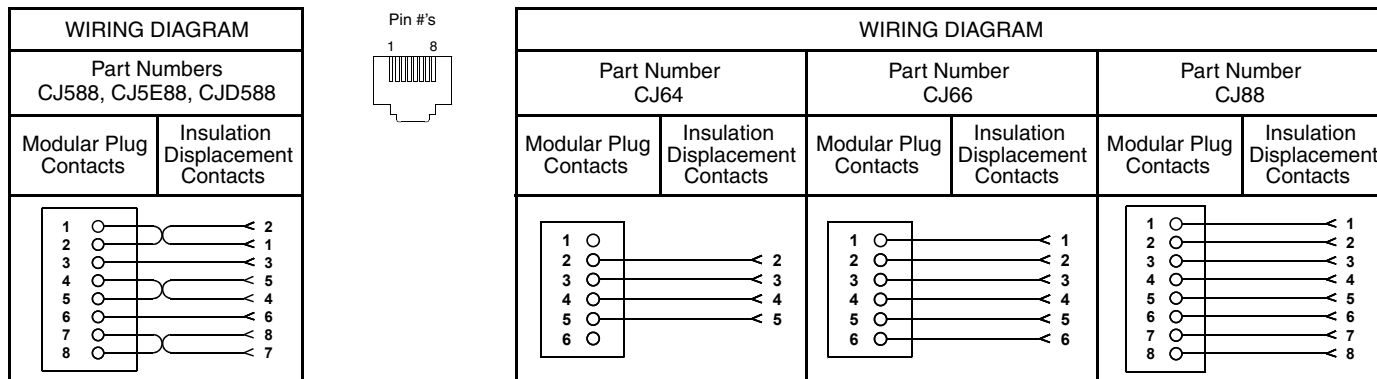
**TERMINATION CAP REMOVAL**



**CATEGORY 3 Mini-Jack CJ64/66/88 SERIES WIRING SEQUENCES**

10 Base-T	EIA/TIA 568A, ISDN	USOC 4-Wire (8 Pin Jack)	RJ45, USOC 8-Wire	EIA/TIA 568B, AT&T 258A, WECO	USOC 4-Wire, in 6 pin	USOC 6-Wire (8 Pin Jack)	USOC, RJ11/RJ25
1 WHT/GRN T3	1 WHT/GRN T3	1 NC NC	1 BRN R4	1 WHT/ORG T2	1 WHT/ORG T2	1 NC NC	1 WHT/GRN T3
2 GRN R3	2 GRN R3	2 NC NC	2 WHT/GRN T3	2 ORG R2	2 WHT/ORG T2	2 WHT/GRN T3	2 WHT/ORG T2
3 WHT/BRN T4	3 WHT/ORG T2	3 WHT/ORG T2	3 WHT/ORG T2	3 WHT/GRN T3	3 BLU R1	3 WHT/ORG T2	3 BLU R1
4 NC NC	4 BLU R1	4 BLU R1	4 BLU R1	4 BLU R1	4 WHT/BLU T1	4 BLU R1	4 WHT/BLU T1
5 NC NC	5 WHT/BLU T1	5 WHT/BLU T1	5 WHT/BLU T1	5 WHT/BLU T1	5 ORG R2	5 WHT/BLU T1	5 ORG R2
6 BRN R4	6 ORG R2	6 ORG R2	6 ORG R2	6 GRN R3	6	6 ORG R2	6 GRN R3
7 NC NC	7 WHT/BRN T4	7 NC NC	7 GRN R3	7 WHT/BRN T4		7 GRN R3	7 GRN R3
8 NC NC	8 BRN R4	8 NC NC	8 WHT/BRN T4	8 BRN R4		8 NC NC	8 NC NC

**WIRING DIAGRAMS FOR CJ588, CJ5E88, CJD588, CJ64/66/88 SERIES**



**Notes:**

1. For specified performance, follow TIA/EIA 568-B installation guidelines.
2. Jack Modules can terminate PVC or Plenum rated 22-24 AWG solid or stranded IWC cable with insulated conductor outside diameter ranging between 0.035 inch (0.88mm) and 0.048 inch (1.2mm).
3. Jack Modules may be re-terminated a minimum of 10 times.
4. For technical and performance information, consult Panduit Technical Support.
5. MUAJC588 Jack Modules suit a standard switch mechanism pattern on various Australian faceplates.
6. For Mini-Com Mini-Jack Shielded Jack Module instructions, refer to PN348\*.

**As with all Wiring Accessories, the following statements apply:**

1. Never install communications wiring during a lightning storm.
2. Never install communications wiring in wet locations unless the jack is specifically designed for use in wet locations.
3. Never touch uninsulated communications wiring or terminals unless the communication line has been disconnected at the network interface.
4. Use caution when installing or modifying communication wiring.

<p>For Instructions in Local Languages and Technical Support:</p> <p><a href="http://www.panduit.com/resources/install_maintain.asp">www.panduit.com/resources/install_maintain.asp</a></p>	<p><a href="http://www.panduit.com">www.panduit.com</a></p>	<p>E-mail: cs@panduit.com</p> <p>Fax: (708) 444-6993</p>
---	---	--