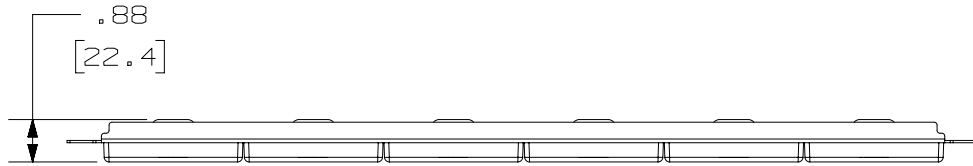
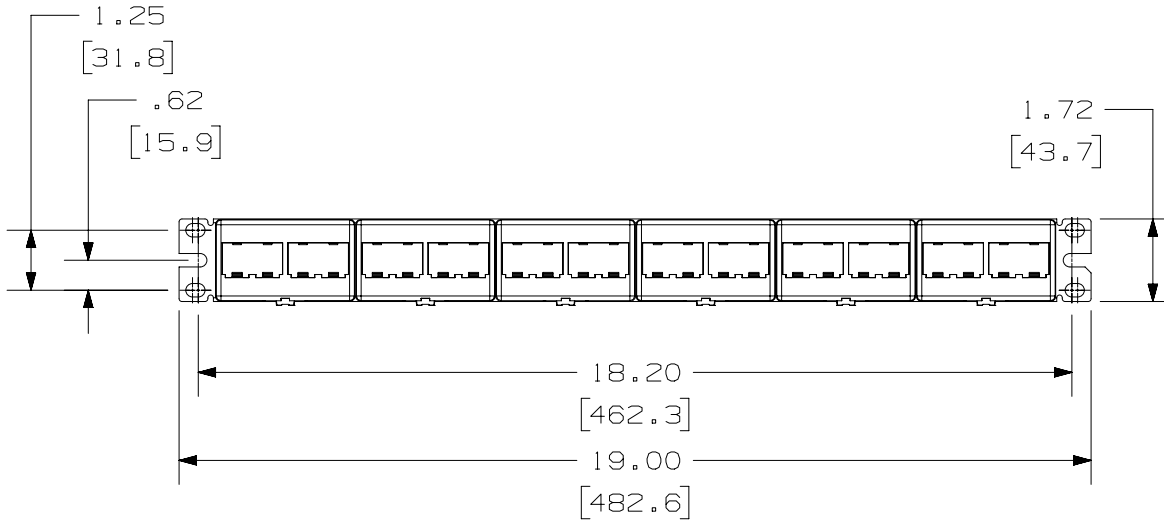


THIS COPY IS PROVIDED ON A RESTRICTED BASIS AND IS NOT TO BE USED IN ANY WAY DETRIMENTAL TO THE INTERESTS OF PANDUIT CORP.

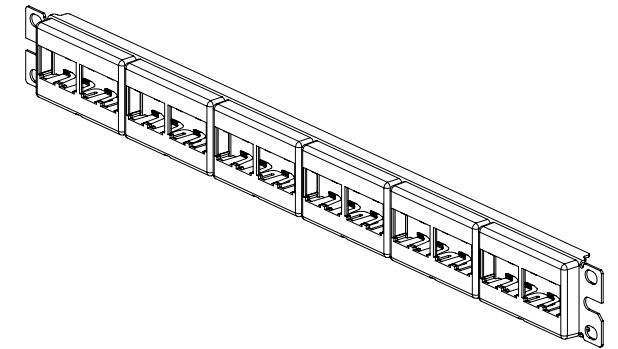


PANDUIT P/N	WEIGHT
CPP24WBLY	6.1 LB/10 PCS (2740 g/10 PCS)



NOTES:

- SEE CURRENT CATALOG FOR ADDITIONAL PART NUMBER SUFFIXES TO INDICATE COLOR AND OR PACKAGE QUANTITY.
- SEE CATALOG FOR COMPLETE LIST OF PARTS APPLICABLE FOR USE WITH THIS PART.
- DIMENSIONS IN [] ARE IN METRIC.
- PART INCLUDES:
 - 1- METAL STAMPING
 - 6- MODULAR FACEPLATE (CFFP4)
 - 1- SCREW KIT (INCLUDES FOUR #12-24 SCREWS)



PART NUMBER		CPP24WBLY	
TITLE			
MINI-COM 24 PORT MODULAR PATCH PANEL			
CUSTOMER DRAWING			
ITEM REVISION NAME		M02479BY/03 C	
DATASET FILE NAME		M02479BY_DC52/03A	
UNLESS OTHERWISE SPECIFIED, DIMENSIONAL TOLERANCES ARE: IN [mm]		MATERIAL:	
.x ± .xxx ± .010 [.3]		PANEL: C.R.S. FACEPLATE: ABS	
.xx ± .03 [.8]		DRAWING NUMBER:	
ANGLES ±		02479-052	
THIRD ANGLE PROJECTION		SHT 1 OF 1	
DRAWN BY	DATE	CHK	SCALE
JSP	4-19-06	MJD	NONE
REV	DATE	BY	CHK
03A	3-8-22	BJN	MDJR
2	10/31/18	BAME	KRKE
1	5/7/14	JSP	REFR
R	4-19-06	JSP	MJD
DESCRIPTION		ECN	
C. REVISED CAD MODEL TO REV 03		M09000PQ	
B. REMOVED METRIC SCREW KIT		02479-052	
A. REVISED DRAWING TITLE BLOCK.		02479-052	
RELEASED TO PRODUCTION		02479-052	

REV	DATE	BY	CHK	APR	DESCRIPTION	ECN
03A	3-8-22	BJN	MDJR	MMR	C. REVISED CAD MODEL TO REV 03	M09000PQ
2	10/31/18	BAME	KRKE	MMR	B. REMOVED METRIC SCREW KIT	02479-052
1	5/7/14	JSP	REFR	MMR	A. REVISED DRAWING TITLE BLOCK.	02479-052
R	4-19-06	JSP	MJD	MJD	RELEASED TO PRODUCTION	02479-052

D10100DA/14